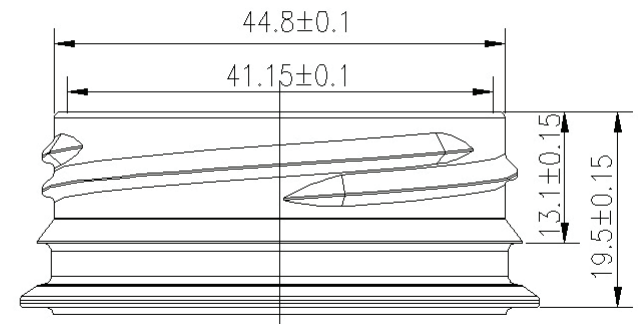
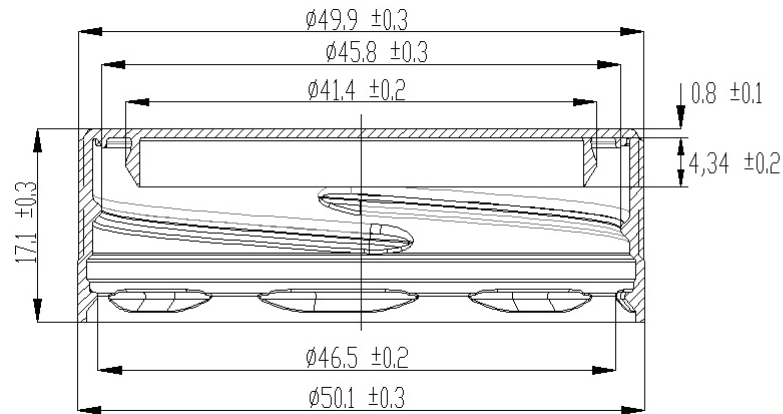




104955

48mm White HDPE Tamper Evident Closure (Unlined)

K.G. International - sales@kgint.com - +1 305 499-9816



Main dimensional characteristics		Mechanical properties	
Number of Knurls	120	14 < Closure torque < 30	Kg f x cm
External diameter	49.9 ± 0,3mm	7 < Opening torque < 25	Kg f x cm
Total height	17.1 ± 0,3mm	Stripping torque > 42	Kg f x cm
Diameter plug	41.7 ± 0,2mm	Air tightness > 0.6	Bar
Diameter inside of thread	45.8 ± 0,3mm	Stripping torque has been obtained immediately after placement of the cap 24 h after manufacture. Opening torque was obtained after mounting 7days.	
Weight	4.2 ± 0,1g	Microbiological quality	
		Aerobic bacteria	< 10 ufc in 10 caps
		Moulds and yeasts	< 10 ufc in 10 caps
		Fecal and Total Coliform	0 ufc in 10 caps